

AKO UK LTD

(FORMALLY PALADON PV)

Pinch Valve

Type VVF - Flanged Pneumatic

New construction!

40% less air consumption and
35% less weight

Fit and forget!

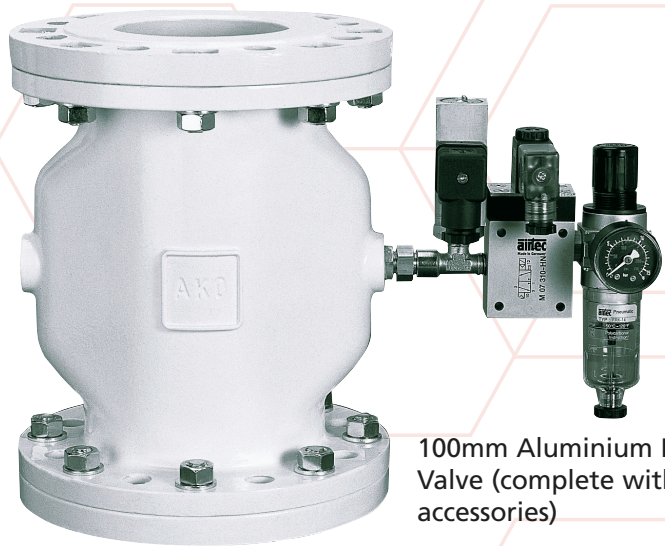
- Size range 40mm to 250mm (9 sizes available with other sizes on request)
- Flanged PN10/16, ANSI150, Tri clamp/clover, IDF, RJT
- Screwed BSP 10mm to 50mm also in stock (see data sheet PV-SOC-01)
- Simple construction
- No mechanical parts
- Straight through clear bore
- 100% leak tight seal
- True bore (most sizes) - No blockages
- New elliptical shaped body (uses less air), quick closing
- No actuator is required (reduces costs), operated with solenoid valves
- New re-enforced sleeves
- Easy and low cost maintenance (fitting instructions available on request)
- Quick/efficient deliveries from largest UK Pinch Valve stock
- Best possible prices
- Full technical back up and valve maintenance in house or on site



The best valve for abrasive and many other applications!

How it works

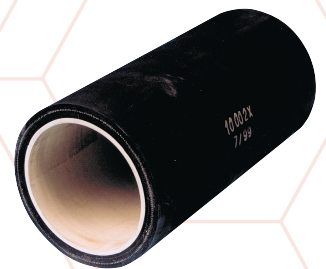
The controlling medium of air pressure or water is used between the valve body and the sleeve to give 100% closure (even against large abrasive particles) of the pinch valve (see drawing on back of sheet). Exhausting this pressure causes the valve to immediately open. When open the sleeve allows full, unobstructed flow. The valve is operated via a solenoid/control valve therefore does not need an expensive actuator.



100mm Aluminium Pinch Valve (complete with accessories)



Clear and
True Bore



100mm white food quality sleeve (FDA approved)



13 Alvis Way, Royal Oak Trading Estate,
Daventry, Northants NN11 5PG.

Tel: 01327 312747

Fax: 01327 312565

e-mail: sales@ako-valves.com

Web: www.ako-valves.com



AKO UK

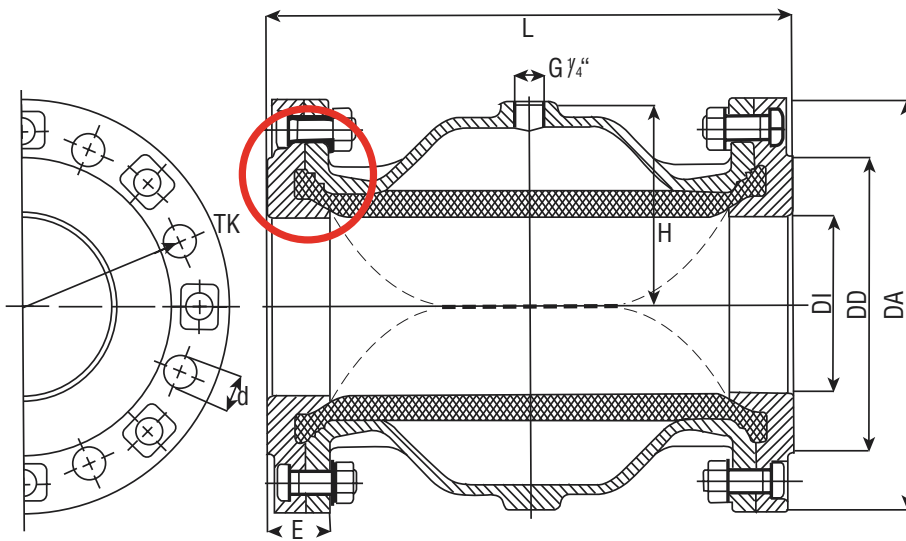
Valve & Flow Control Technology

AKO UK Product Range Also Includes:

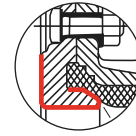
Aeration Pads, Pressure Relief Valves, Hand Operated Pinch Valves, Knifegate Valves, Butterfly Valves, Diaphragm Valves and Road Tanker Products.

AKO Pneumatic Pinch Valve Type V/VF

Flange type DN 40 to 250mm



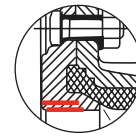
Flange Variations:



With flange sleeve



Stainless steel / steel bushing



Internal thread (DN 40 - 100)

Special construction i.e. for food and pharmaceutical applications upon request.

DN (mm)	DI (mm)	DA (mm)	DD (mm)	d (mm)	Screws	TK (mm)	L (mm)	H (mm)	E (mm)	Weight (kg)			Volume (l) (approx.)	P max (bar)
										alu-flanges	alu-flanges with mild steel bushings	cast-iron flanges		
40	40	150	88	18	4	110	155	63,0	32,0	2,9	3,1	NA	0,20	6
50	50	165	102	18	4	125	183	60,0	30,0	3,8	4,0	NA	0,25	6
65	60	185	122	18	4	145	183	77,0	32,0	5,0	NA	8,2	0,40	6
80	80	200	138	18	8	160	228	90,0	29,0	5,6	6,0	NA	0,60	6
100	100	220	158	18	8	180	282	107,0	35,0	8,5	9,3	NA	1,20	6
125	120	250	184	18	8	210	350	130,0	39,0	12,0	NA	17,5	2,60	6
150	145	286	212	22	8	240	420	155,5	43,0	17,0	NA	25,0	4,90	6
200	190	340	269	22	8	295	555	201,0	60,0	35,0	NA	51,0	15,00	4
250	250	395	320	22	12	350	610	258,0	49,0	NA	NA	84,0	30,00	2

Valve body:

40 - 200mm Aluminium or stainless steel
250mm - Steel or stainless steel

Other sizes are being developed and we will not be held responsible for changes to drawings.

Flanges:

BS4504 PN10/16 (ANSI flanges also available)
40 - 200mm Aluminium with mild steel bushings/cast iron
40 - 200mm Aluminium with stainless steel bushings
250mm - Steel or stainless steel
Special food connections available on request (Tri-clamp/Clover, IDF, RJT)
Flange sleeves also available (see sleeve list below)

Sleeves:

Natural rubber, natural rubber high temperature, white food quality (FDA approved), EPDM, Viton, Silicon, Nitrile, Neoprene, Hypalon and Butyl.

Accessories:

Solenoid valves, pressure switches, pressure regulators, pressure relief systems, etc. Please contact the AKO sales team for more information.

Industry/Application Examples

Abrasives, Powder handling/bulk, Quarrying, Water, Chemical, Agriculture, Pharmaceutical, Pneumatic conveying equipment, Food, Flour, Sugar, Sand, Foundry Sand etc.

Technical:

Differential pressure for most sleeves = 2.5bars.

AKO UK Ltd: 13 Alvis Way, Royal Oak Trading Estate, Daventry, Northants NN11 5PG.

Tel: 01327 312747 Fax: 01327 312565 e-mail: sales@ako-valves.com Web: www.ako-valves.com



AKO UK

Valve & Flow Control Technology

AKO UK Product Range Also Includes:

Aeration Pads, Pressure Relief Valves, Hand Operated Pinch Valves, Knifegate Valves, Butterfly Valves, Diaphragm Valves and Road Tanker Products.